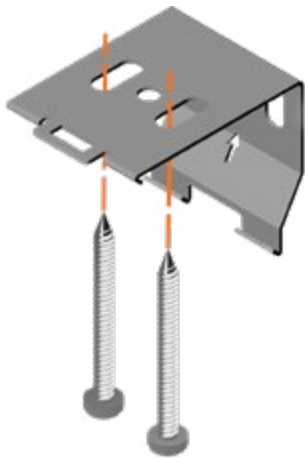
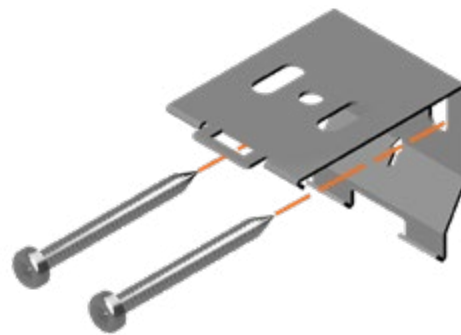


## 1 INSTALL THE MOUNTING BRACKETS

Securely affix the mounting brackets on the ceiling or wall where you are installing the shade. Ensure that two brackets are positioned at least two inches from the ends of the shade, if required additional brackets can be installed evenly spaced across the width of the shade.



Ceiling / Inside Mount



Wall / Outside Mount

## 2 INSTALL THE SHADE

Insert the front edge of the headrail onto the top of each mounting bracket as shown below. Starting from the center, push upward and back until the back edge of the headrail snaps into the bottom lip of the mounting bracket. Repeat this process for each bracket and make sure that the headrail firmly clicks into the lip of each mounting bracket.

